

Ref. Code: AP039

Date: April 2016

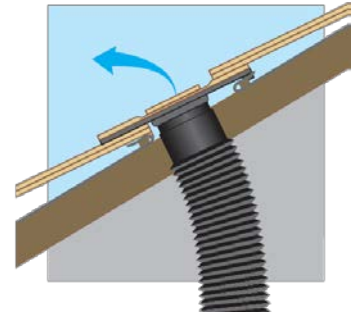


CP20K Low Profile Cowl Tile Vent Complete with pipe adaptor

Product Description

Corovent Low Profile Cowl Vent with pipe adaptor can be manufactured to fit in with existing tiles. The attached pipe provides either a 110mm diameter or 125mm diameter connection to a soil pipe or extractor fan. The cowl incorporates barriers to prevent windblown rain and water ingress, channelling the water out onto the roof surface. Each vent unit is supplied with a felt sleeve (FW1).

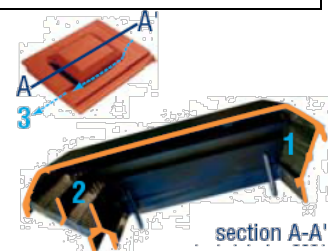
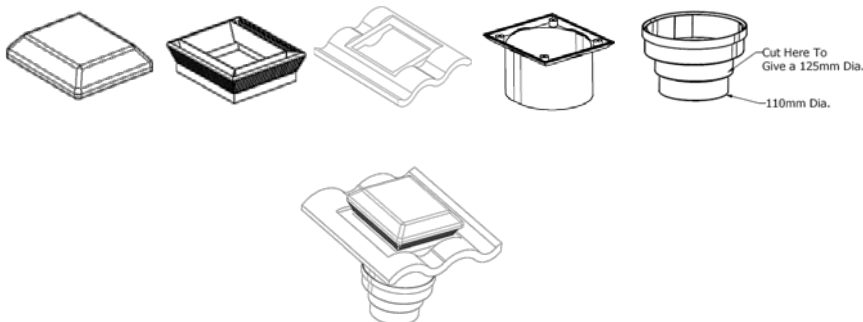
- Complete with pipe adaptor for either 110mm diameter (or 125mm diameter when cut) connection
- Incorporates barriers to prevent water ingress
- Provides 20,000mm² of ventilation
- Can be made to suit a wide range of tiles and slates (please check for availability)
- Colour matching service available
- One felt sleeve (FW1) is supplied with each unit



Vent	Vent Area	Type of Roof	Air Flow Resistance
CP20K	20,000mm ²	Slate or tile	9.5 Pascal at 30 litres/second

All vents subjected to 3 separate wind and rain penetration tests and a deluge test to simulate extremely harsh weather, based on conditions developed as part of a DoE Partners in Technology Programme as used by Building Research Establishment (BRE). All vents exceed the pass criteria under all conditions.

Product Requirements	CP20K
Ventilation Area	20,000mm ²
Minimum Roof Pitch	20° degrees



1 barrier prevents water ingress
2 barriers block wind driven rain
3 water drains away down slope

COWL DRAINAGE SYSTEM

Tile profile shown is for illustration purposes only