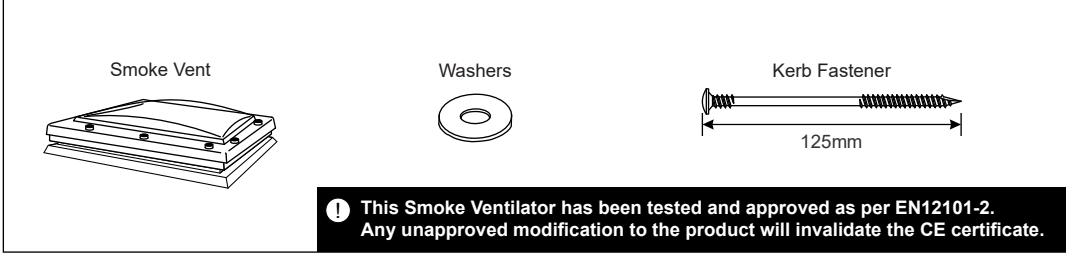


Mardome Smoke Vent

TB286

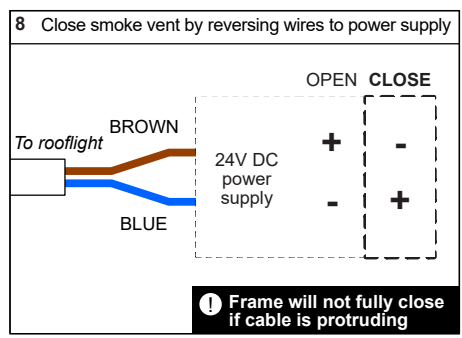
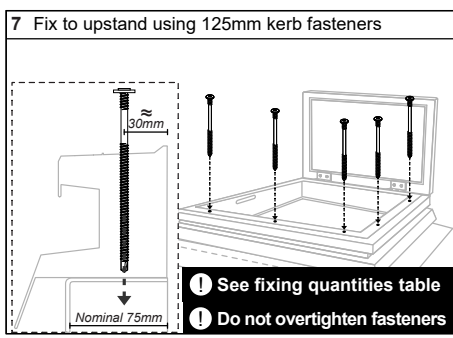
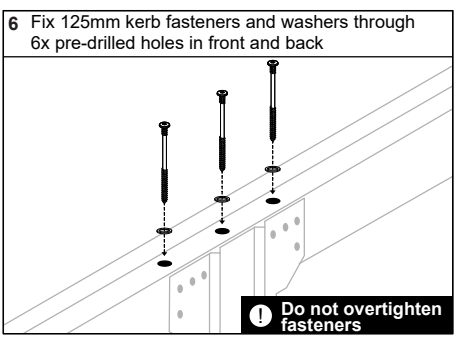
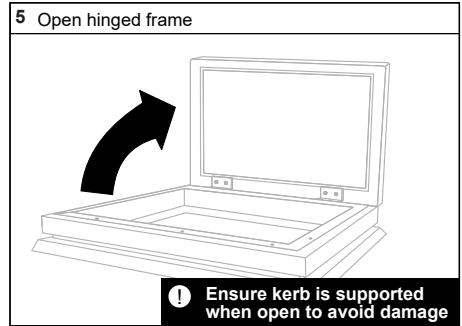
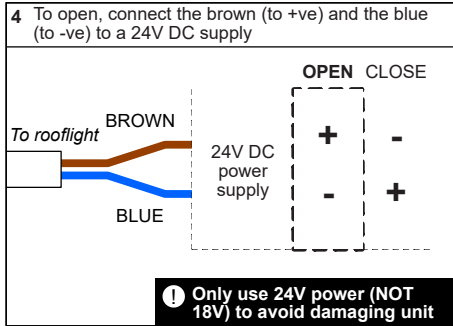
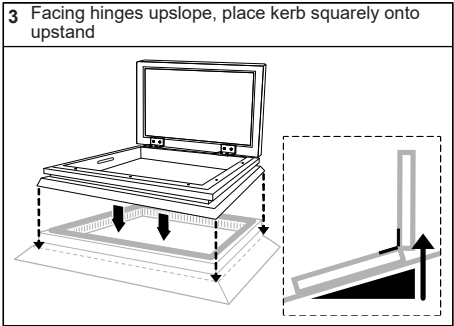
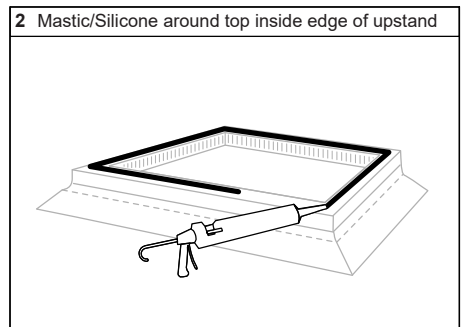
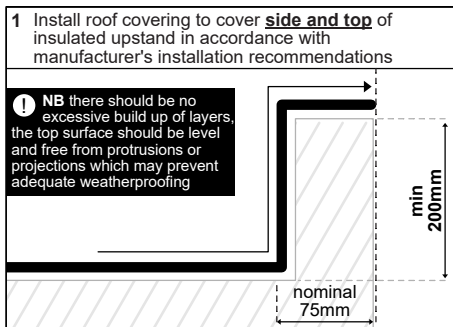
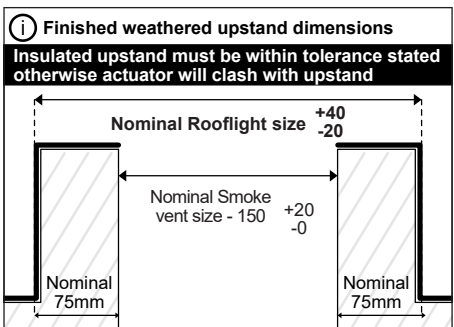
Smoke Vent Dome
on builders upstand

Contents **!** Take care when unpacking **!** Check all correct parts are included and undamaged **!** Only use fixings supplied



Fixing Quantities		
Length of Nominal Smoke Vent Side (mm)	Number of fixings per side	
	Front/Back	Left/Right
1050, 1200	5	3
1350, 1500, 1650	7	4
1800	7	5

! All Health & Safety Regulations must be followed on site throughout the installation process



9

If wind deflectors are to be fitted, follow steps 2 to 5 on page 4 before connecting electrics.

10 Connect electrics (see Wiring Instructions and Control System, page 3)

This should only be completed by a suitably qualified electrician

! TECHNICAL SUPPORT: For any technical information/queries please contact your supplier. The manufacturer operates a policy of continuous product improvement, and reserves the right to alter specifications at any time without notice. Every effort has been taken to ensure all details contained in this document are correct at the time of going to press but this document should be used only as a guide and does not in any way form part of a contract or warranty. It is the customer's responsibility to ensure that the product is suitable for the actual conditions of use, which are beyond the control of the manufacturer.

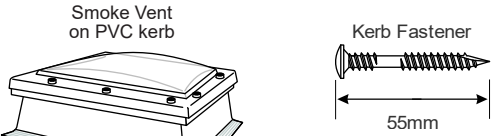


Mardome Smoke Vent

TB286

Smoke Vent Dome
on PVC kerb

Contents **!** Take care when unpacking **!** Check all correct parts are included and undamaged **!** Only use fixings supplied

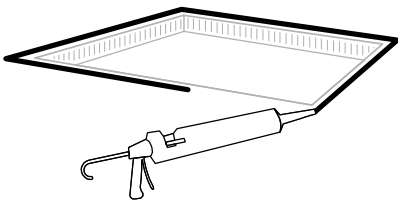


! This Smoke Ventilator has been tested and approved as per EN12101-2. Any unapproved modification to the product will invalidate the CE certificate.

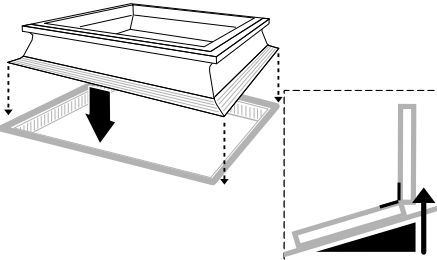
Fixing Quantities		
Length of Nominal Smoke Vent Side (mm)	Number of fixings per side	
	Front/Back	Left/Right
1050, 1200	5	3
1350, 1500, 1650	7	4
1800	7	5

! All Health & Safety Regulations must be followed on site throughout the installation process

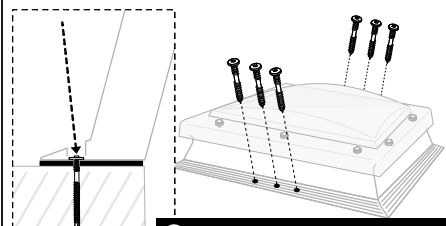
1 Mastic/Silicone around the edge of the roof opening



2 Facing hinges upslope, place kerb squarely over roof opening

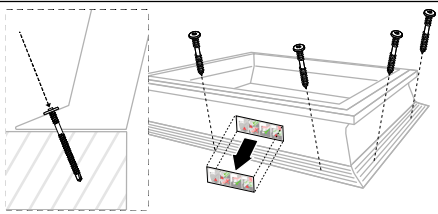


3 Insert 55mm kerb fasteners through 6x pre-drilled holes. The screw heads must push against the metal plate under the foot of the kerb



! Do not overtighten fasteners

4 Fix kerb to roof using 55mm kerb fasteners
Remove and retain label



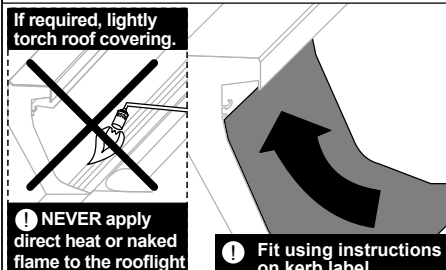
! See fixing quantities table
! Do not overtighten fasteners

5

If wind deflectors are to be fitted, follow steps **1** to **5** on **page 4** before roof covering installation

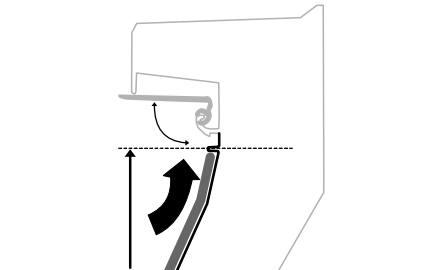
6 Install roof covering according to manufacturer's installation recommendations

If required, lightly torch roof covering.



! NEVER apply direct heat or naked flame to the rooflight
! Fit using instructions on kerb label

7 Terminate roof covering in accordance with instructions on retained kerb label



8

If wind deflectors have been fitted, follow step **7** on **page 4** before connecting electrics

9 Connect electrics (see Wiring Instructions and Control System, page 3)

This should only be completed by a suitably qualified electrician

! TECHNICAL SUPPORT: For any technical information/queries please contact your supplier. The manufacturer operates a policy of continuous product improvement, and reserves the right to alter specifications at any time without notice. Every effort has been taken to ensure all details contained in this document are correct at the time of going to press but this document should be used only as a guide and does not in any way form part of a contract or warranty. It is the customer's responsibility to ensure that the product is suitable for the actual conditions of use, which are beyond the control of the manufacturer.



Mardome Smoke Vent

TB286

Smoke Vent Dome
wiring instructions and control system

Please retain this document for electrician

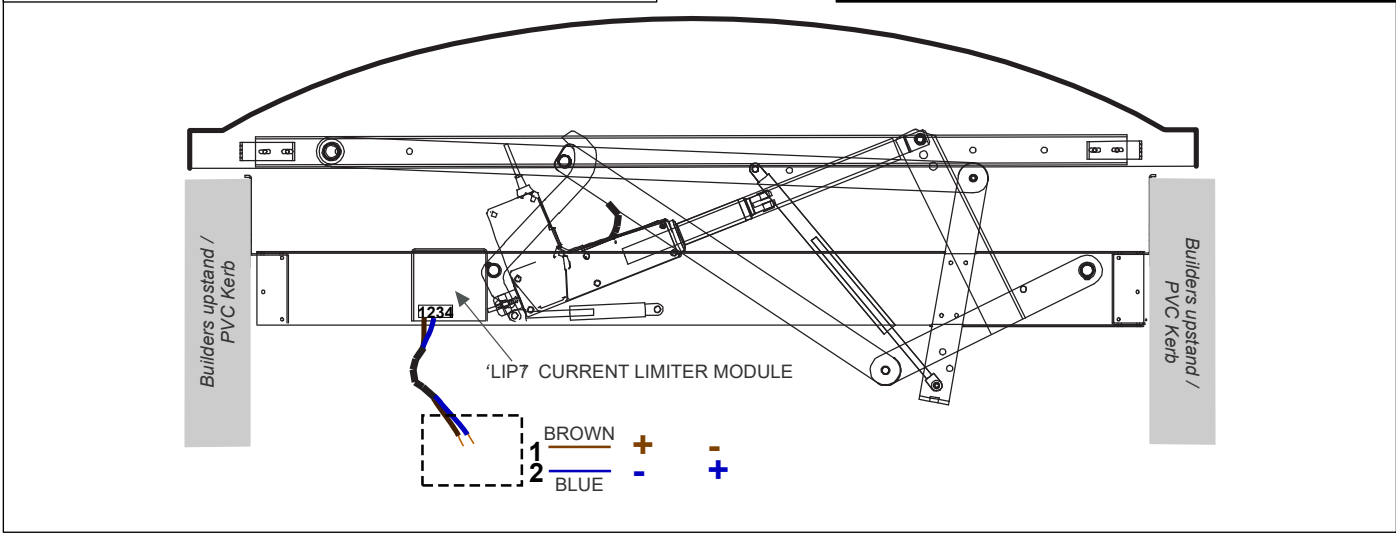
1 Please note that all wiring and commissioning must be undertaken by a suitably trained and qualified person. The installer must ensure that all wiring runs, cable thickness and earthing etc. meet current regulations.

Fire resistant cables according to IEC 60331 must be used for the following functions - Opening system with 24V actuators, Fire Switch, Fireman's Priority Switch and Smoke Detector.

1 All Health & Safety Regulations must be followed on site throughout the installation process

Powered Opening (24V DC only) - without control system

1 Only use 24V power (NOT 18V) to avoid damaging unit



Powered Opening (24V DC only) - with control system (24V-5A or 24V-8A)

Technical Specifications

Power supply
230V AC/max. 1.2A

Output supply
24-28 VDC

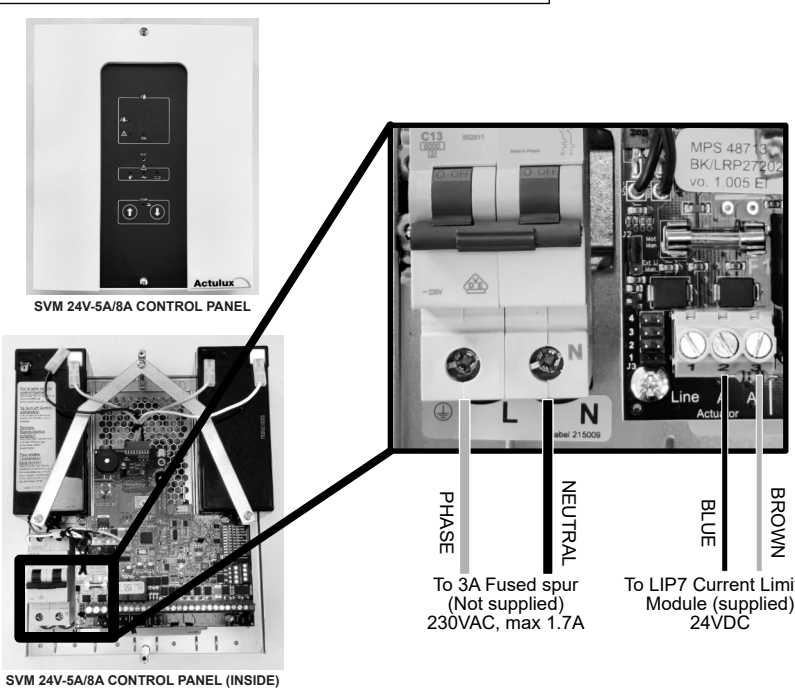
Motor outputs
1 pcs.
(line detection: 1-4 lines)

Max. Load
5A OR 8A

Operation temperature
-15°C to +40°C

Density
IP 54

Battery back-up
72 hours



1 For further details, refer to the Control Panel User Manual (supplied)

Control Panel connection instructions page references

Connection of Fire Switch
Page 8

Connection of Smoke Detector
Page 9

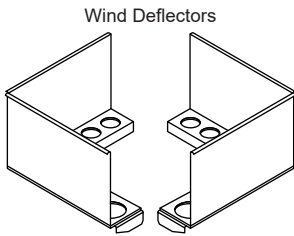
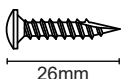
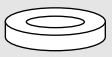


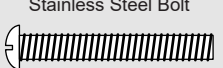
Connection of Fireman's Priority switch
Page 9 & 16

Full connection diagram
Page 10 & 11

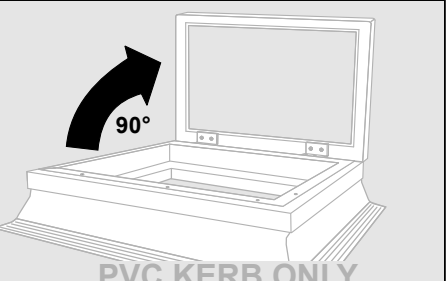
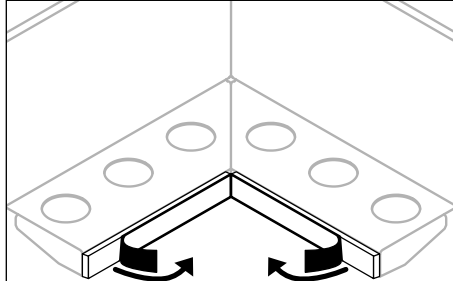
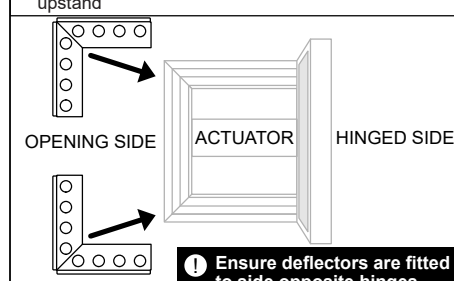
Mardome Smoke Vent

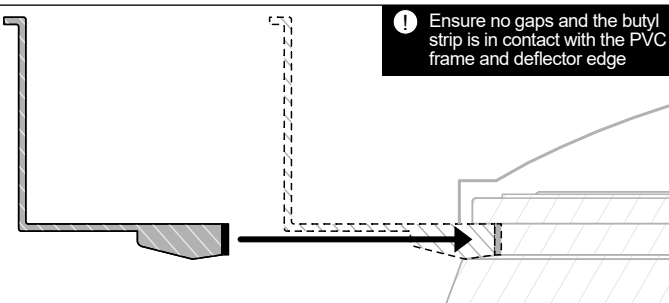
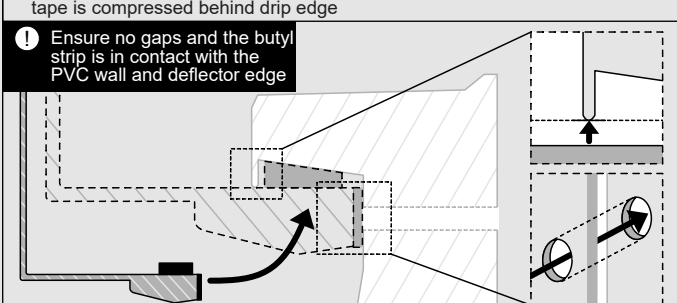
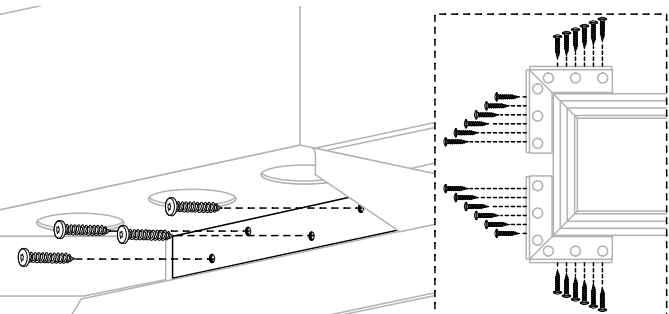
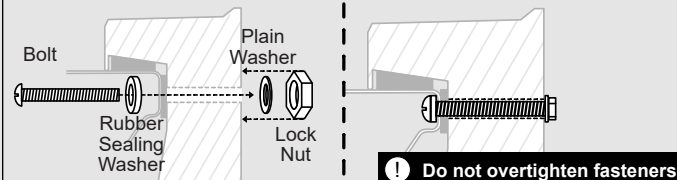
TB286

Smoke Vent Dome
Aerodynamic Wind Deflectors

Contents	⚠ Take care when unpacking	Check all correct parts are included and undamaged	Only use fixings supplied
 <p>Wind Deflectors</p>	 <p>Fastener 26mm</p>	 <p>Rubber Washer</p>  <p>Plain Washer</p>	 <p>Lock Nut</p>  <p>Stainless Steel Bolt</p>
BUILDERS UPSTAND ONLY		PVC KERB ONLY	

⚠ All Health & Safety Regulations must be followed on site throughout the installation process

<p>1 Open smoke vent to at least 90°</p>  <p>90°</p> <p>PVC KERB ONLY</p>	<p>2 Peel off backing paper from front edges of deflectors</p> 	<p>3 Carefully align wind deflector with each corner of upstand</p>  <p>OPENING SIDE ACTUATOR HINGED SIDE</p> <p>⚠ Ensure deflectors are fitted to side opposite hinges</p>
---------------------------------------------------------------------------------------------------------------------------------------------------------------------------	-----------------------------------------------------------------------------------------------------------------------------------------------------------	----------------------------------------------------------------------------------------------------------------------------------------------------------------------------------------------------------------------------------------------------------------------------------

BUILDERS UPSTAND ONLY	PVC KERB ONLY
<p>4 Push deflector until firm contact is made with PVC frame</p>  <p>⚠ Ensure no gaps and the butyl strip is in contact with the PVC frame and deflector edge</p>	<p>4 Push deflector until firm contact is made with upstand and expanding foam tape is compressed behind drip edge</p>  <p>⚠ Ensure no gaps and the butyl strip is in contact with the PVC wall and deflector edge</p>
<p>5 Fix wind deflectors to PVC frame using supplied 26mm self-drilling fasteners</p> 	<p>5 Fix wind deflectors to PVC upstand using supplied fixings</p>  <p>Bolt Plain Washer Rubber Sealing Washer Lock Nut</p> <p>⚠ Do not overtighten fasteners</p>
<p>6 Follow steps 6 and 7 on page 2 to install roof covering</p>	
<p>7 Using silicone, seal all joints between wind deflector and roof covering clamp/cover trim before closing smoke vent</p> 